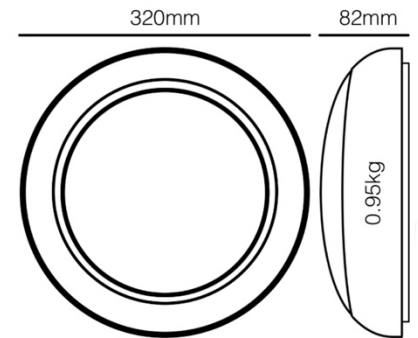


16W EMERGENCY LED BULKHEAD



DESCRIPTION

A popular choice in communal areas of apartments and office blocks, our range of emergency lighting is simple for the installer to fit, thanks to the hinged LED tray and push fit connectors. The LEDs can be changed from cool to warm to daylight white with the flick of a switch.

FEATURES

- Splash-proof IP65
- Energy efficient LED
- Wall or ceiling mountable
- 30,000-hour lifespan
- Twist and lock cover, no tools required
- Emergency Battery back-up version available
- 3CCT to choose cool, warm or daylight white
- Slim polycarbonate body

SPECIFICATION

Light Source	LED
Wattage	16W
Lumens	1400Lm
Dimmable	No
Beam Angle	115°
Colour Temp	WW: 2700K DW: 4000K CW: 6500K
Voltage	220-240V
Frequency	50/60Hz
Power Factor	>0.6
Battery Back-Up	3 hour/180 minutes
Lifespan	30000 hours
Operating Temp	-20 – 50°C
IP Rating	IP65
Electrical Class	Class II
Energy Rating	A+
Materials	Polycarbonate Body & Diffuser

VARIATIONS

SKU	Item Name
32016BW	LED Bulkhead
EM32016BW	LED Bulkhead with battery back-up
SIL-BEZ	Silver Bezel (only)