

# COLLOVATI

COL2KHTC

## INSTALLATION & USER INSTRUCTIONS



### TECHNICAL SPECIFICATION

|                               |                |
|-------------------------------|----------------|
| Output Selection              | 750/1250/2000W |
| Nominal Heat Output $P_{nom}$ | 0.75-2.0kW     |
| Minimum Heat Output $P_{min}$ | 0kW            |
| Maximum Heat Output $P_{max}$ | 2.0kW          |
| Input Voltage                 | 220-240V       |
| Frequency                     | 50Hz           |
| Class                         | I              |
| Dimensions                    | 585x420x200mm  |
| Cable Length                  | 1.5m           |
| Thermostat                    | Yes            |
| Timer                         | Yes            |
| LOT20 Approved                | Yes            |
| Overheat Protection           | Yes            |
| Weight                        | 2kg            |

**IMPORTANT** Read these instructions fully before installing and using the heater. Retain these instructions for future reference.

### **SAFETY INSTRUCTIONS**

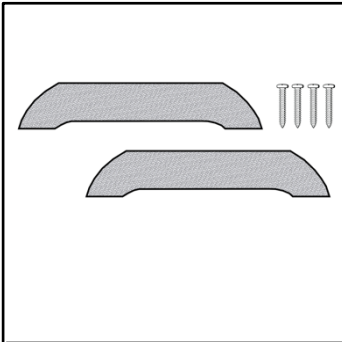
1. Do not use the heater unless the feet are correctly attached or correctly wall mounted.
2. Ensure the power supply to the socket into which the heater is plugged is in accordance with the rating label on the heater and that the socket is earthed.
3. Keep the power cord away from the hot body of the heater.
4. Do not use this heater in the immediate surroundings of a bath, a shower or a swimming pool.
5. In order to avoid overheating, do not cover the heater.
6. Indoor use only.
7. Do not place the heater on carpets that have a very deep pile.
8. Always ensure that the heater is placed on a firm, level surface.
9. Do not place the heater close to a curtain or furniture in order to avoid potential fire.
10. Ensure heater is not located immediately below a socket-outlet.
11. Do not insert any object through the heat outlet or air grilles of the heater.
12. Do not use the heater in areas where flammable liquids are stored or where flammable fumes may be present.
13. Always unplug the heater when moving it from one location to another.
14. Warning: If the supply cord is damaged, it must be replaced by the manufacturer, its service agent or a similarly qualified person.
15. This appliance is not intended for use by persons (including children) with lack of experience and knowledge, unless they have been given supervision or instruction concerning use of the appliance or a person responsible for their safety.
16. Children should be supervised to ensure that they do not play with the appliance.

### **OPERATION OF THE HEATER**

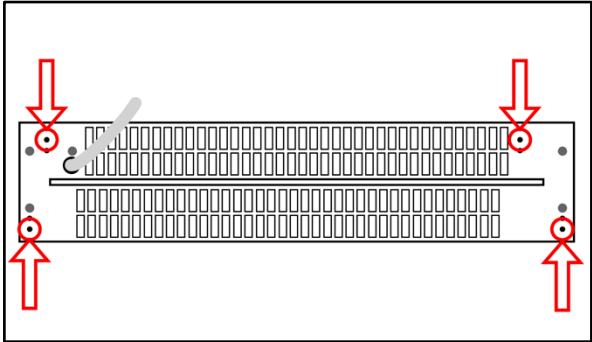
Choose a suitable location for the heater, taking into account the safety instructions above

- Insert the plug of the heater into a suitable socket.
- Turn the thermostat knob fully in a clockwise direction to the maximum setting.
- Turn on the heating elements by means of the rocker switches on the side panel. When the heating elements are on the switches will illuminate. For maximum heat output both switches should be on.
- When the desired room temperature has been reached, the thermostat knob should be turned slowly anti-clockwise until the thermostat is heard to click off and the lights on the elements switches are seen to go out. After this the heater will keep the air temperature in the room at the set temperature by switching on and off automatically.
- This model is also fitted with a 24hr timer which has 96 segments around its circumference, each segment being equivalent to 15 minutes of time. With the aid of this timer, it is possible to preset the time and duration of the period that it is desired the heater will operate, in any 24hr period.

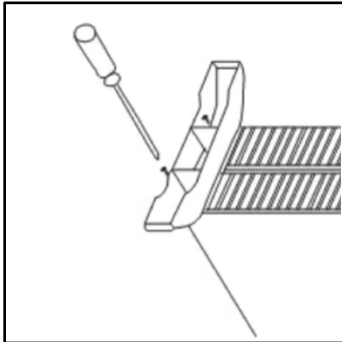
# FLOOR MOUNTING



Gather the two feet and four screws.

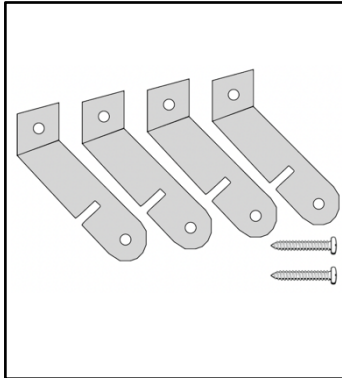


Turn the heater upside down and locate each of the four holes circled in the above diagram.

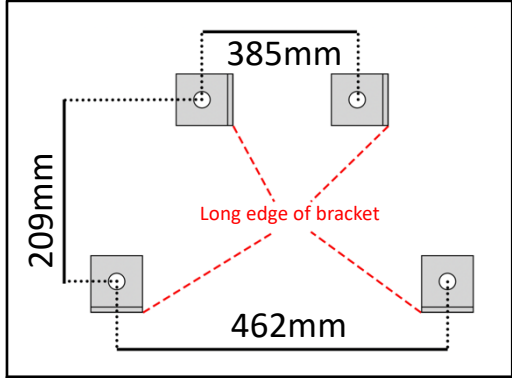


Place foot on heater and secure using 2 screws. Repeat on other side.

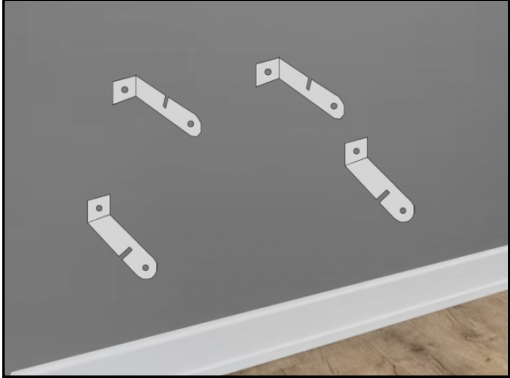
# WALL MOUNTING



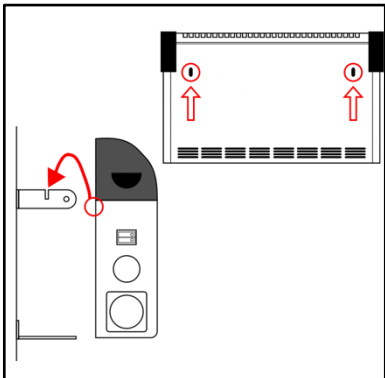
Gather the four brackets and two of the four screws



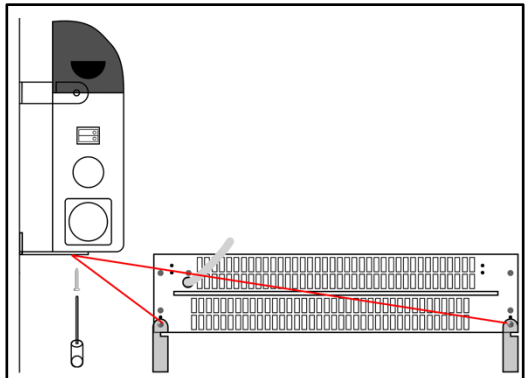
Using appropriate fixings, secure the square face of the four brackets to a suitable wall using the above dimensions. The bottom brackets **must** be a minimum of 100mm above floor.



The resulting brackets should look like the above. Note the top two brackets have their long side facing vertical with the slot upwards, and the bottom brackets having the long side horizontal



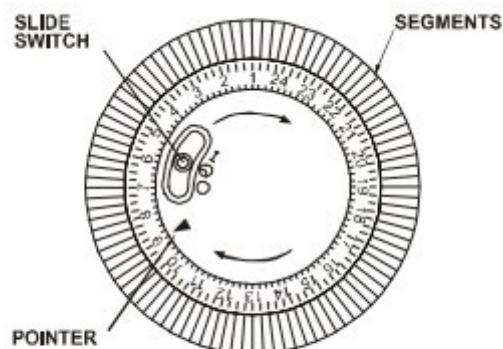
Locate the two holes on the back of the heater and hook onto the slots of the top two brackets



Insert a screw through each of the bottom brackets into the lined-up hole on the bottom of the heater

## TIMER OPERATION

- The centre of the timer has a 3-position slide switch.
- In the central position (denoted by the clock symbol) the timer will switch the heater on and off at times set by the segments, (see setting the timer, below)
- The position denoted by the "T", is a timer override position. The timer will continue to run but power will be fed continuously to the heater. This enables the heater to be on all the time if required.
- In the position denoted by the "O", the timer continues to run but no power is fed to the heater.
- Ensure the slide switch on the timer is at the mid position next to the clock symbol.
- Rotate the outer ring of the timer in a clockwise direction until the current time is lined up with the arrow pointer, i.e. if the time the timer is being set is 8PM, rotate the outer ring until the number 20 is in line with the arrow pointer.
- Set the time the heater is required to run by pulling the segments around the outer ring forward appropriate to the running period(s) required.
- When set, the heater will operate each day during the times programmed. Note, the heater must always be plugged into a power socket, the element switches must be in the "on" position and the thermostat must be suitably set to ensure the heater will come on.
- If the heater is required to run continuously the slide switch on the timer should be set to the "T" position.
- If it is subsequently required to revert back to timer operation, the slide switch on the timer should be set to the central (clock) position.
- Note: When using in timer mode, due consideration should be given to fact that the heater may come on whilst unattended.



**TIMER**  
(MODEL TIMER and TURBO & TIMER ONLY)

## **STORING THE HEATER**

When the heater is not used for long period of time it should be protected from dust and stored in a clean dry place. It is normal when the heaters are turned on for the first time or after a long period of non-use, the heaters may emit some smell and fumes. This will disappear when the heater has been on a short while.