

10W WALL MOUNT FLOODLIGHT WITH PIR INSTRUCTION MANUAL

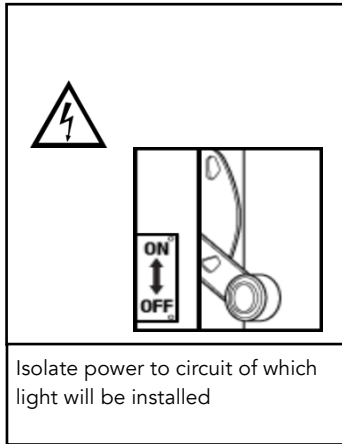


INSTALLATION

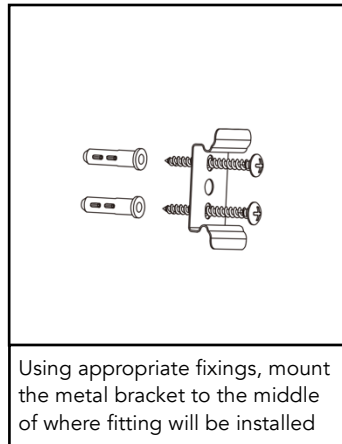


CAUTION: RISK OF ELECTRIC SHOCK!

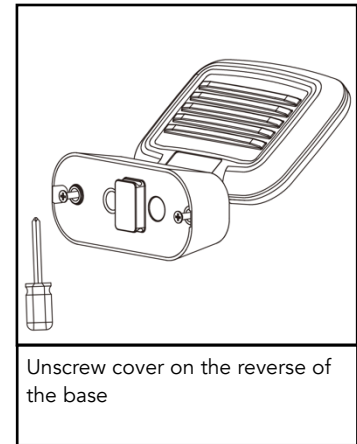
WORK MUST BE CARRIED OUT BY AN ELECTRICIAN OR COMPETENT PERSON. IF IN DOUBT, SEEK PROFESSIONAL ADVICE.



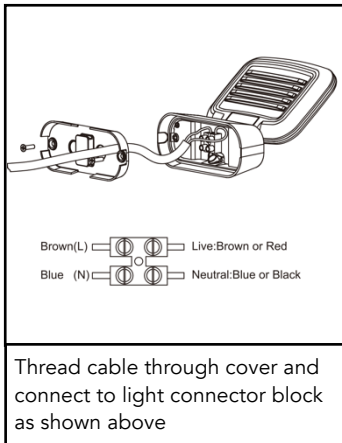
Isolate power to circuit of which light will be installed



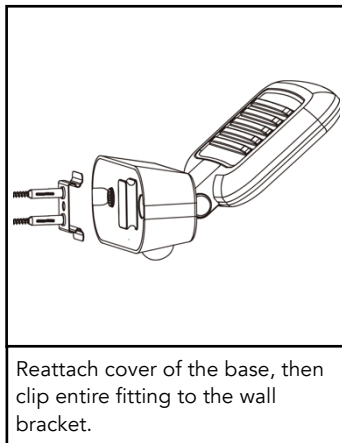
Using appropriate fixings, mount the metal bracket to the middle of where fitting will be installed



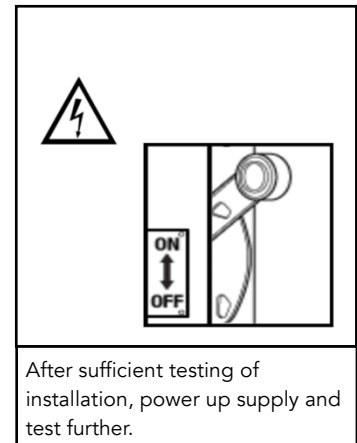
Unscrew cover on the reverse of the base



Thread cable through cover and connect to light connector block as shown above



Reattach cover of the base, then clip entire fitting to the wall bracket.



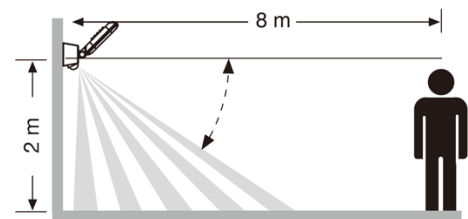
After sufficient testing of installation, power up supply and test further.

PIR SENSOR SET UP

The PIR (Passive Infra-Red) sensor has a sensing device which continuously scans a preset operating zone and immediately switches the lamp on when it detects movement in that area.

To achieve the best results ideally the PIR sensor should be mounted 2m above the area to be scanned to avoid nuisance triggering, the sensor should be directed away from heat sources such as barbecues, air-con units, other outside lights, moving cars, and flue vents.

Do not aim towards reflective areas such as white walls, swimming pools etc.

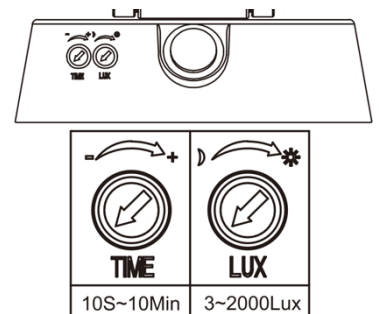


PIR CONTROLS

The PIR settings are two dials located next to the PIR sensor on the underside of the base:

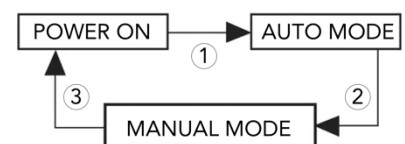
TIME: The length of time that remains switched on after activation is adjustable from (10±5) seconds up to (10±1) minutes. Once the lamp has been triggered by the PIR sensor any subsequent detection will start the timed period again from the beginning.

LUX: The Lux control module has a built-in sensing device (PHOTODIODE) that detects daylight and darkness. Adjustable from daylight to night; it means that the lamp can be turned on after activation in daylight or night according to your setting.



PIR OVERRIDE

- When the power is on, The PIR detector will be in a warmup mode for about one minute. After this minute the light will be in AUTO MODE
- During AUTO MODE, by switching the designated switch on and off twice within 3 seconds (OFF, ON, OFF, ON) the light will then be in MANUAL MODE. In MANUAL MODE the light will not be affected by the PIR sensor.
- During MANUAL mode, switching the switch on and off twice within 3 seconds (OFF, ON, OFF, ON) the light will change back to AUTO MODE



10W WALL MOUNT FLOODLIGHT WITH PIR

INSTRUCTION MANUAL



DISPOSAL

Correct Disposal of This Product (Waste Electrical & Electronic Equipment) (Applicable in the European Union and other European countries with separate collection systems). This marking shown on the product or its literature, indicates that it should not be disposed with other household wastes at the end of its working life. To prevent possible harm to the environment or human health from uncontrolled waste disposal, please separate this from other types of wastes and recycle it responsibly to promote the sustainable reuse of material resources. Household users should contact either the retailer where they purchased this product, or their local government office, for details of where and how they can take this item for environmentally safe recycling. This product should not be mixed with other commercial wastes for disposal.

Voltage	AC220-240V
Frequency	50Hz
Light Source	Built in LED
Lumens	900Lm
Electrical Class	Class II
Installation	Surface
IP Rating	IP54
Dimmable	No
Lifespan	30000 hours
PIR Settings	Time: 10secs – 1pmins Range: 8 meters
PIR Angle	120°
Materials	Polycarbonate

MAINTENANCE

The devices are maintenance-free, so never open them. The guarantee becomes void when you open the appliance. Only clean the outside of the devices with a soft, dry cloth or a brush. Prior to cleaning, remove the devices from all voltage sources. Do not use any carboxylic cleaning agents or petrol, alcohol or similar. These damage the surfaces of the devices. Besides, the vapours are hazardous to your health and explosive. Do not use any sharp-edged tools, screw drivers, metal brushes or similar for cleaning. Do not clean this product with a pressure washer.

GENERAL SAFETY

- Keep all parts out of the reach of children.
- Avoid dropping or shocks; this may damage the electronic circuits.
- Repairs or opening of this item may only be done by an authorized repairer.
- For your safety, always switch off the power supply before changing lamps, adjusting spotlight, heads or cleaning

HIGH VOLTAGE

- All electrical connections and connection cables must comply with the appropriate rules and match the operating instructions.
- The fitting must be correctly installed if it is to operate reliably. These instructions and the user guide must therefore be studied carefully.
- The electrical supply must be switched off at the consumer unit, preferably by means of a switch in the distribution box, before any installation, maintenance or repair work is undertaken.
- Exterior components must not be installed during rain.
- Take account of the minimal separation distance from other objects and the room required around the fitting.
- If in any doubt consult a professional, taking local installation requirements into account.
- Some countries stipulate that lighting may be installed only by registered installers

WARRANTY

This product comes with a 2-year warranty. If you have any concerns or questions do not hesitate to contact us.

